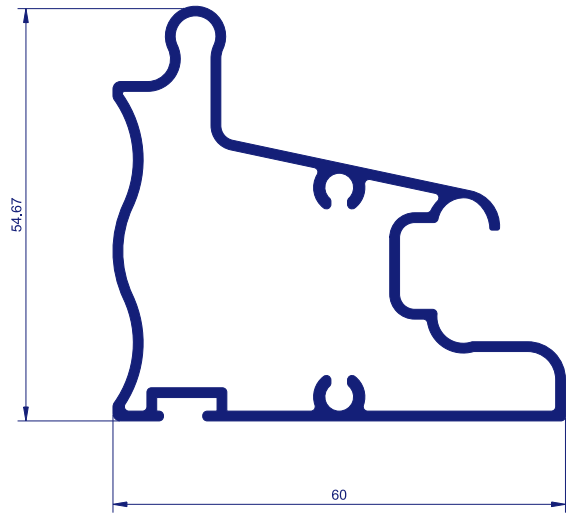
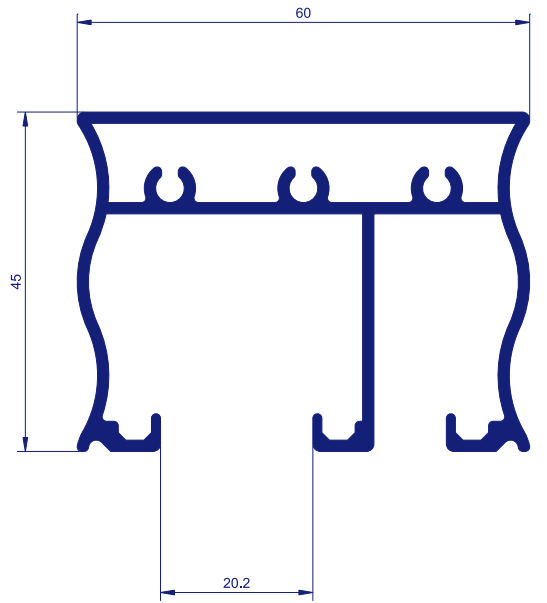


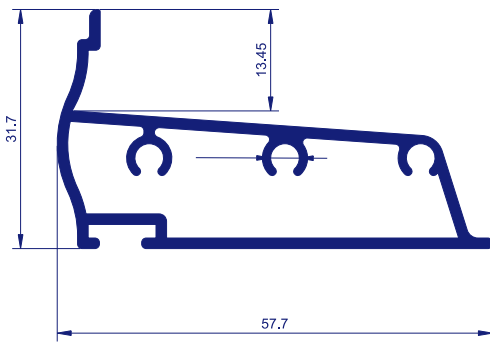
LINEA DE FRONTALES



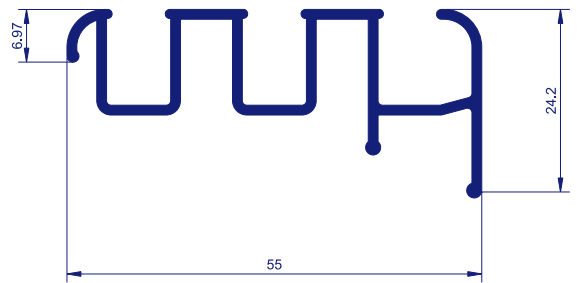
503.645



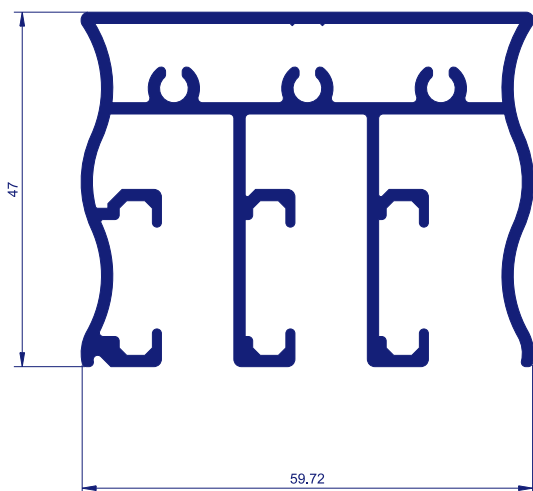
503.714



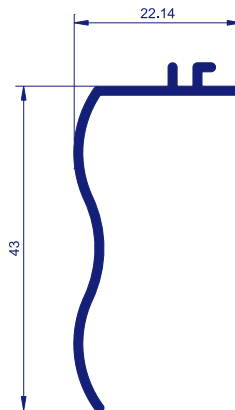
503.188



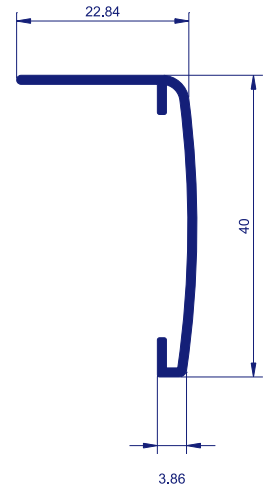
100.349



503.931

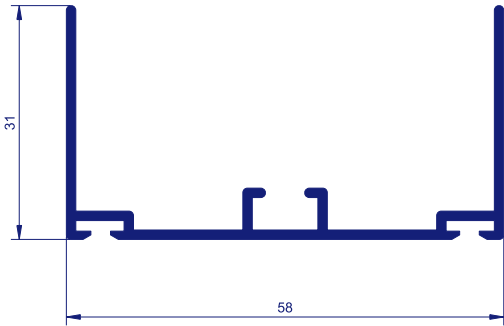


100.787

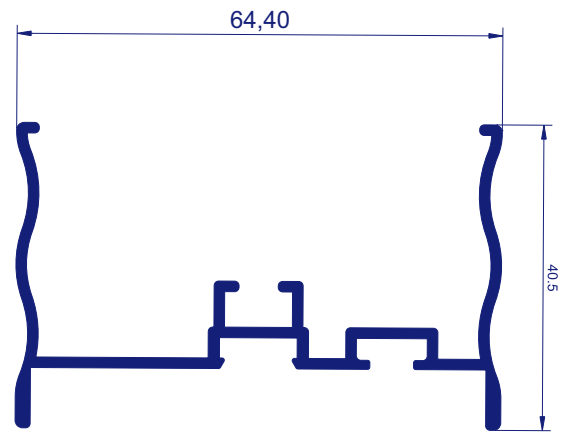


100.918

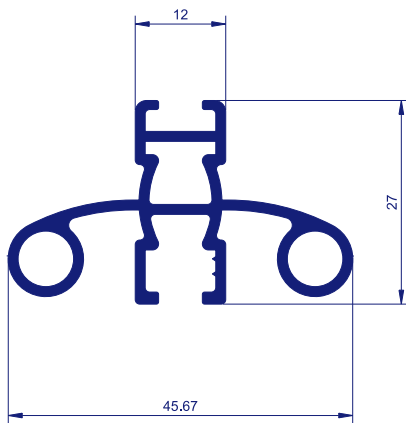
# MAMPARAS



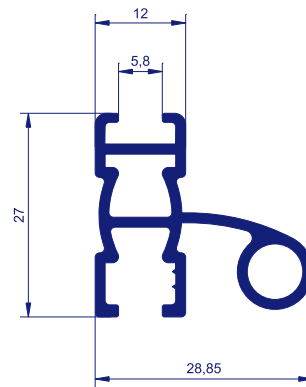
100.785



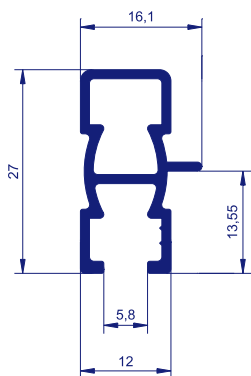
100.784



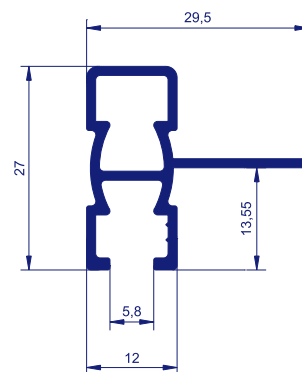
503.807



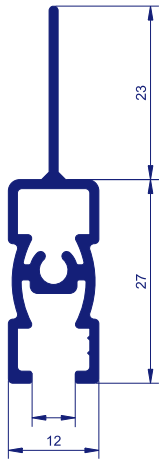
503.806



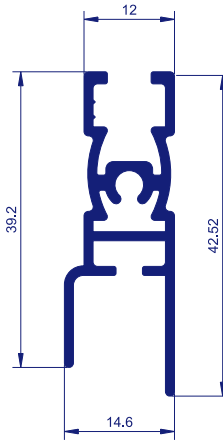
503.792



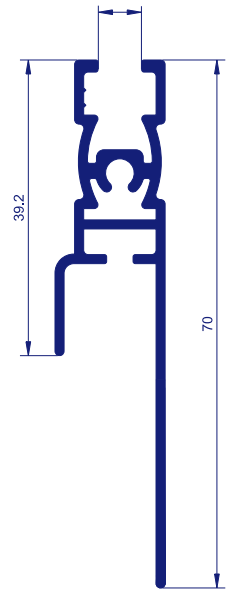
503.793



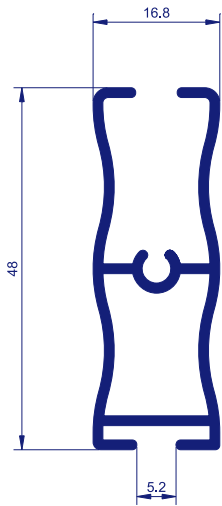
503.808



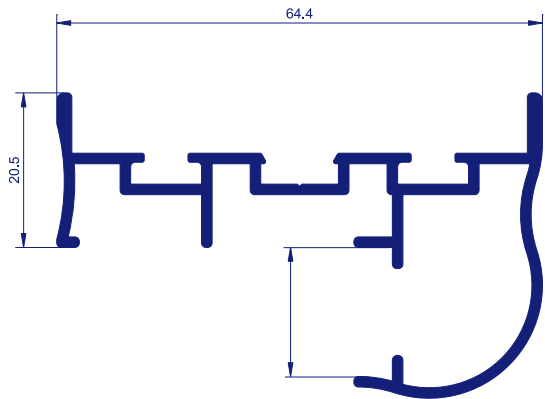
503.809



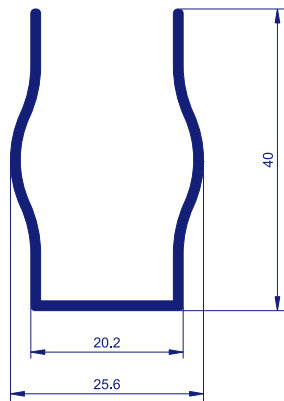
503.810



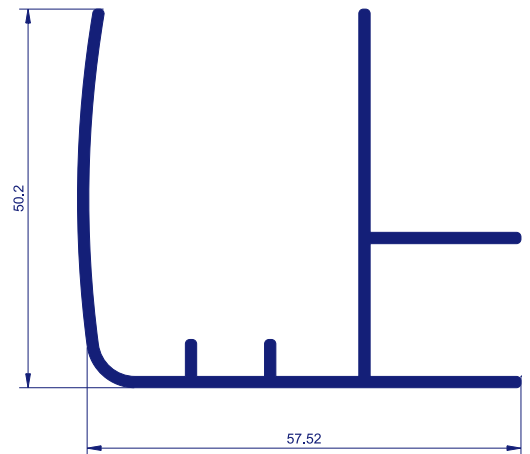
503.651



100.786

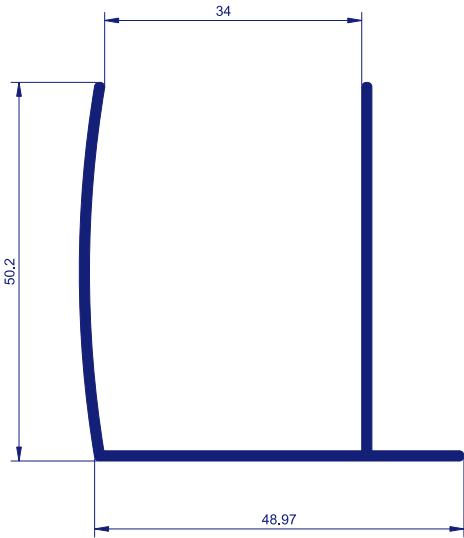


100.039

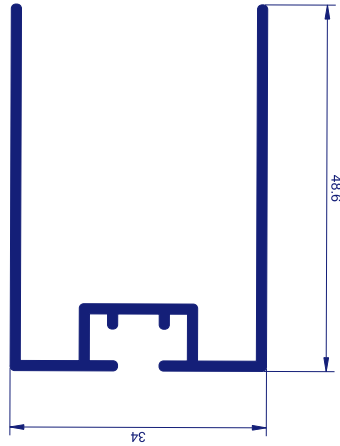


100.940

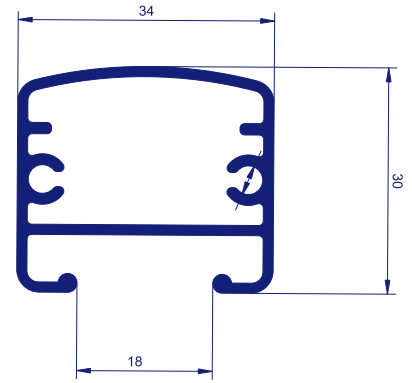
## LINEA DE SEMICIRCULAR Y ANGULAR



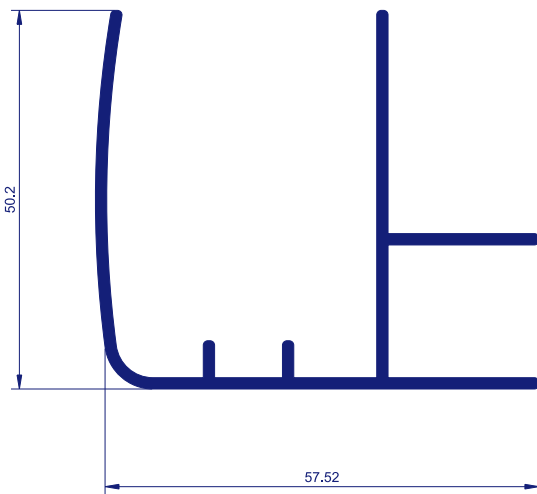
100.825



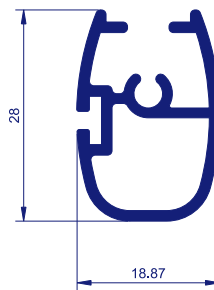
100.824



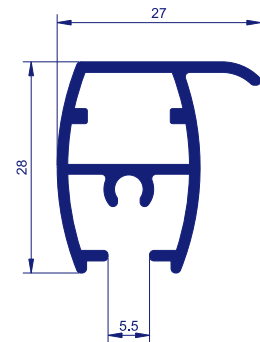
503.808



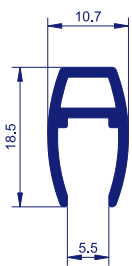
100.940



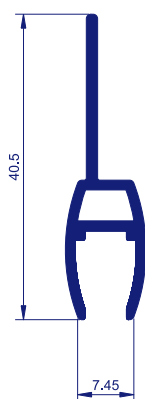
503.003



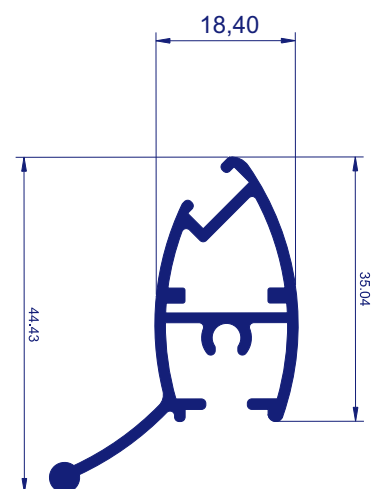
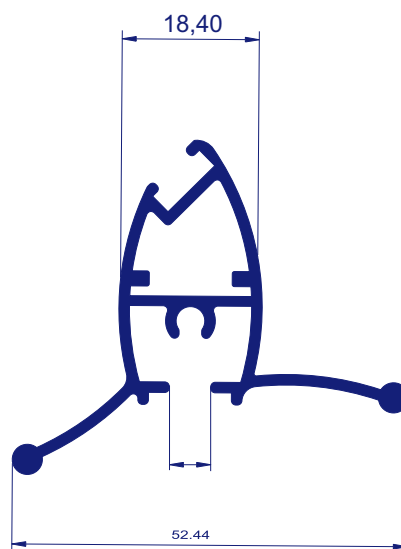
503.715



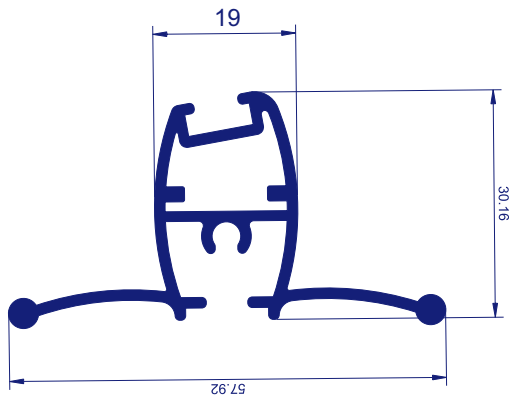
503.685



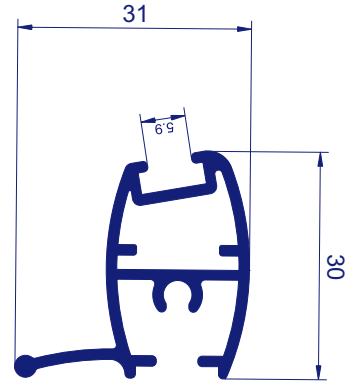
503.716



44.43

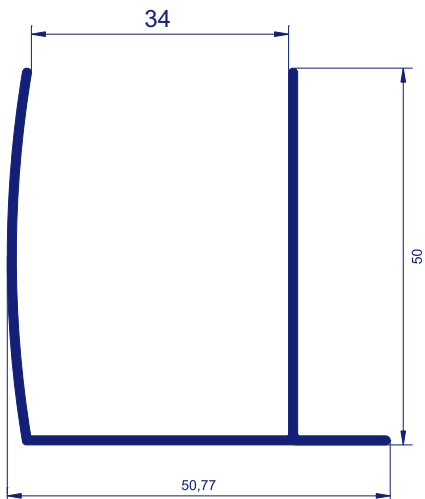


503.684

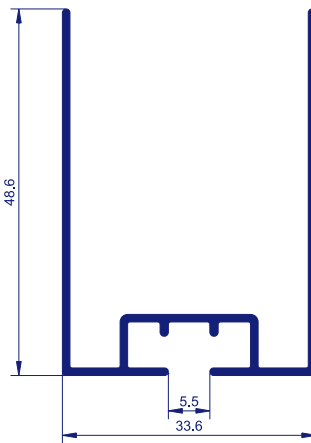


503.686

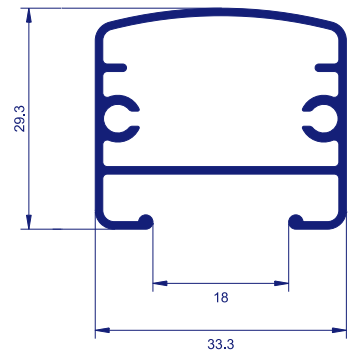
MAMPARAS SEMICIRCULAR Y ANGULAR 2008



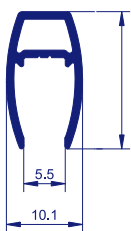
100.825



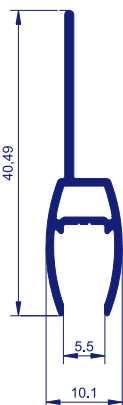
100.824



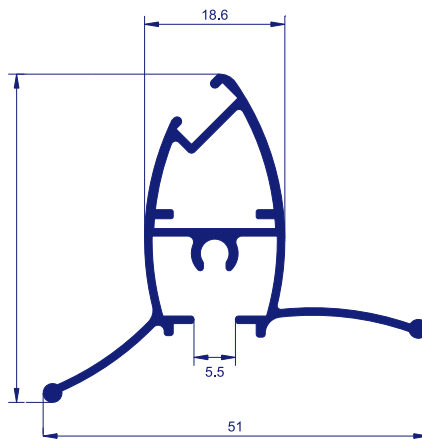
503.997



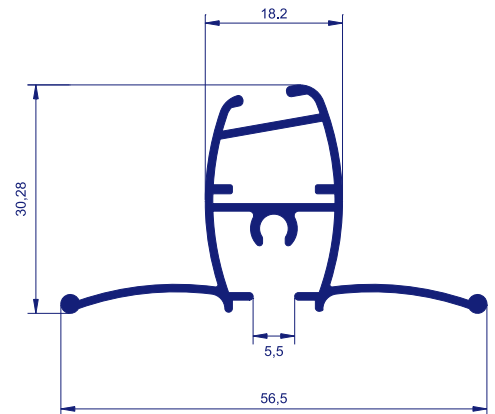
503.989



503.988

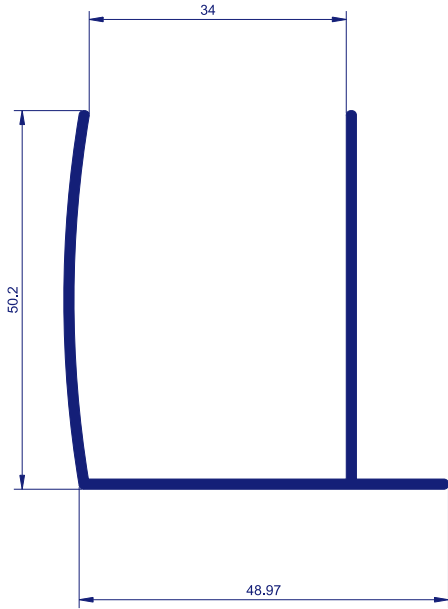


503.987

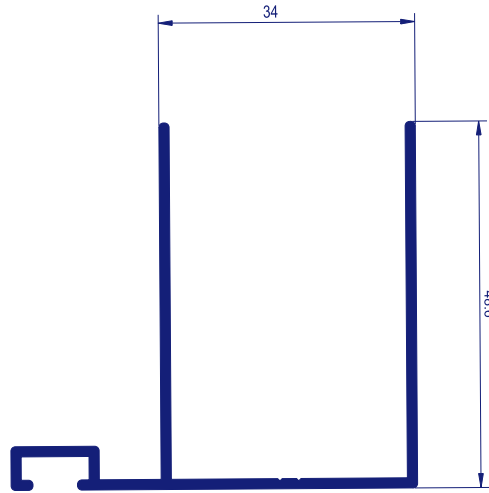


503.986

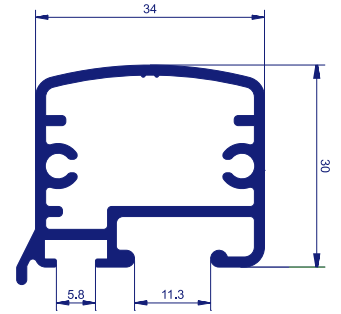
## LINEA PRACTICABLE



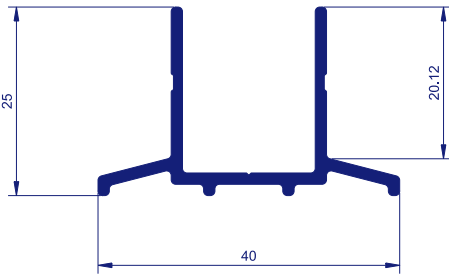
100.825



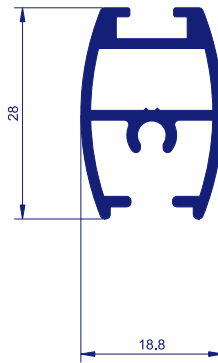
100.878



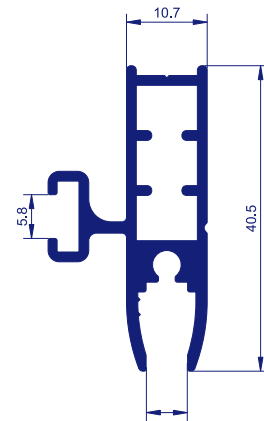
600.613



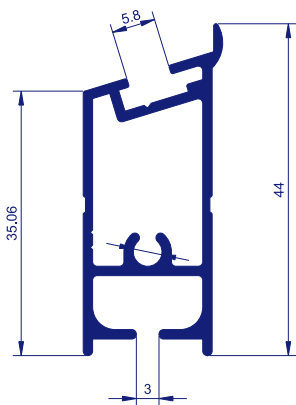
100.259



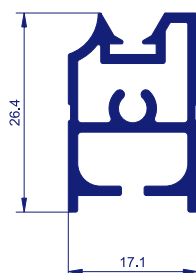
503.870



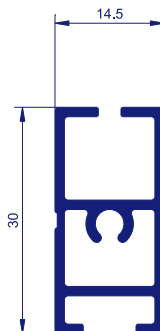
503.898



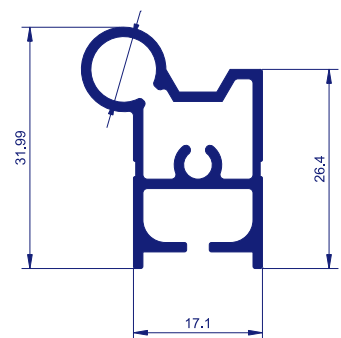
503.726



503.123

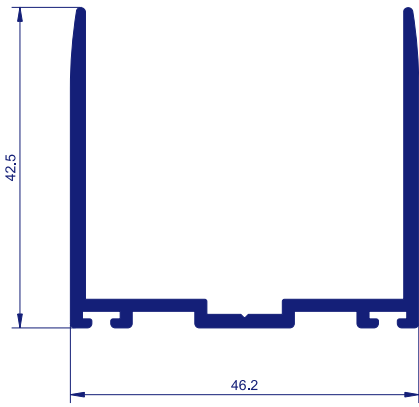


503.121

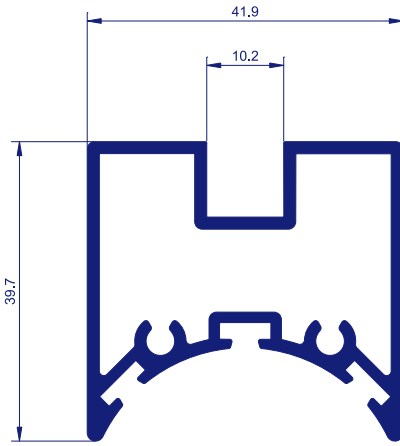


503.122

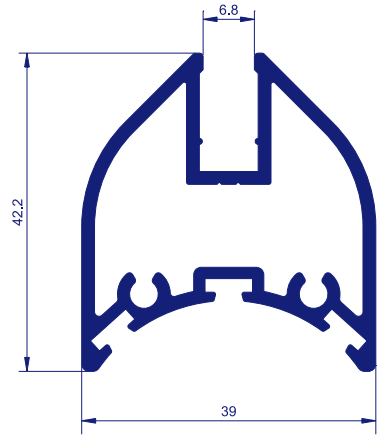
LINEA VIDRIO



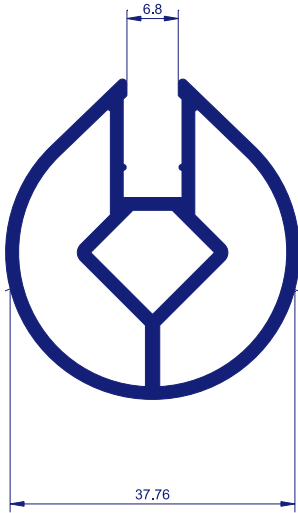
100.865



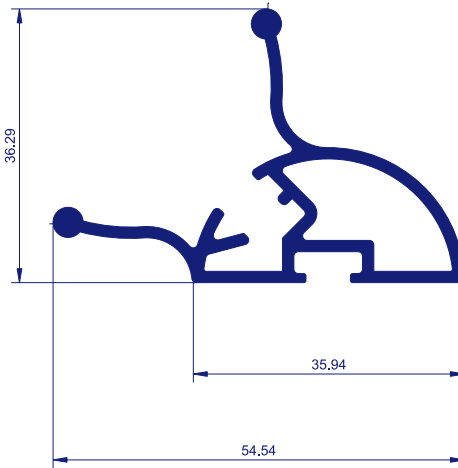
503.717



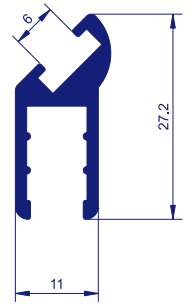
503.725



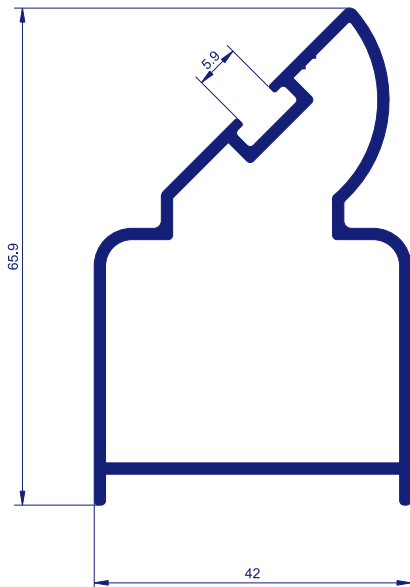
503.718



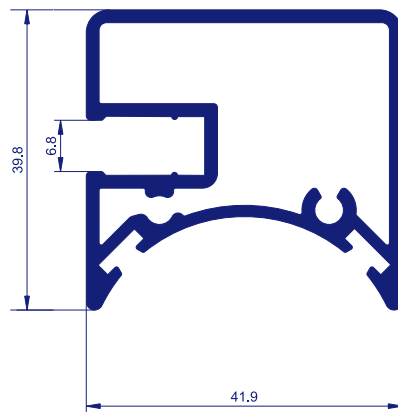
503.874



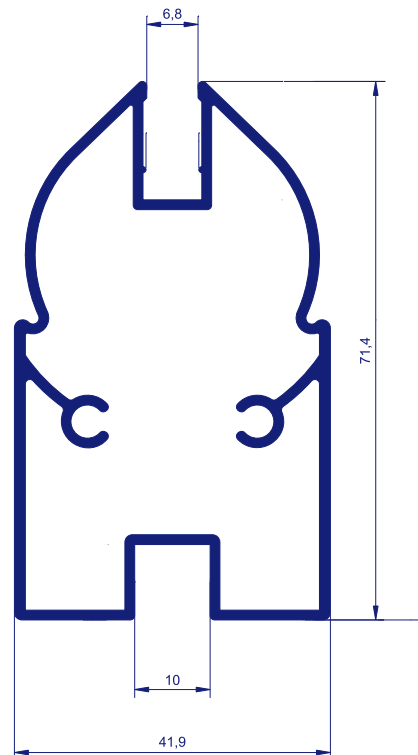
100.934



503.874

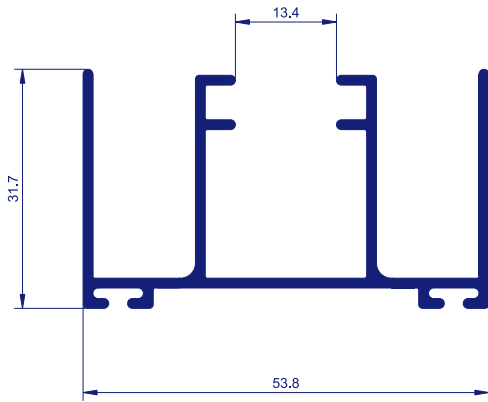


503.008

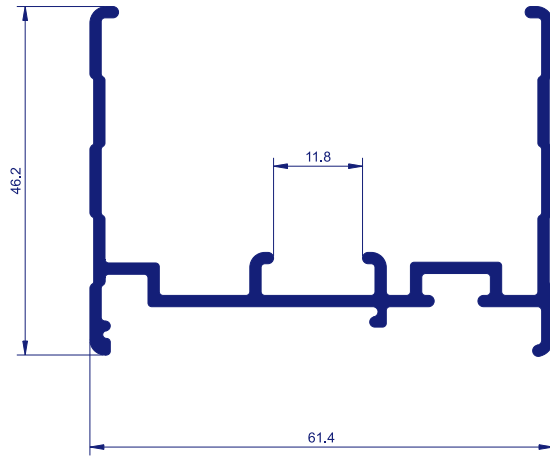


503.004

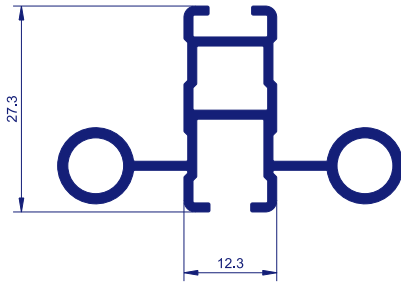
## PERFILES VARIOS



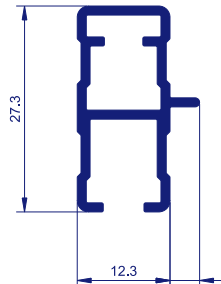
200.509



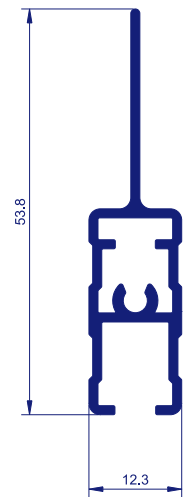
200.510



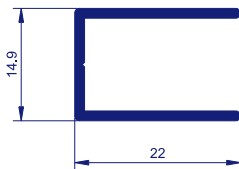
600.612



600.610



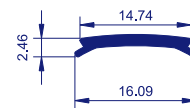
600.611



100.351



100.065



100.932